

## A new generation of multi-point locking has arrived!

Yale has launched an innovation in multipoint locking, uniquely designed to work with digital locking solutions and to comply with all the very latest standards.

YS170 delivers a system with optimum door compression, improved handle ability, uncompromising quality and the highest levels of security, including a secure escape locking mechanism with a 5 lever driven gearbox.



Suitable for PVCu, aluminium, composite and timber doors, the system will meet the latest security product standards and multipoint kitemarketing scheme, including Secured by Design accreditation and PAS 24 and BS6375.

By choosing YS170, you can offer clients the gift of choice, regarding lock type, furniture selection and even mechanical or electronic access, without compromising on security or aesthetics.

For more information, or to download latest technical or sales literature, please visit <http://goo.gl/GCMnQ>.



## Sun Trade Windows locks up with Yale's new YS170 System

Sun Trade Windows has switched to using Yale's innovative new YS170 multipoint locking system to secure its PVCu panel doors.

Trade fabricator Sun Trade Windows has made the switch to Yale's newest multipoint locking system to make fabrication quicker and easier, without compromising on security or aesthetics of its high quality PVCu panel doors.

Graham Davies, Commercial Director of Sun Trade Windows says: "Our business is based on attention to detail, and our long terms relationships with highly qualified teams such as those at Yale, strengthens our offering to customers."

"Yale is without a doubt the most famous lock brand and a home security specialist. By switching to use the YS170 multipoint locking system, we can demonstrate that we are choosing the most up to date and innovate solution on our products, so that installers can consistently offer end users a safe and secure solution."

Sun Trade Windows now offers a complete range of quality and weather resistance panel doors with Yale's YS170 multipoint locking system as standard.

If you would like to know more about Sun contact Ryan White on: 01656 746 650 or visit the web site at: <http://goo.gl/076LG>.



## Yale locks into new panic door system

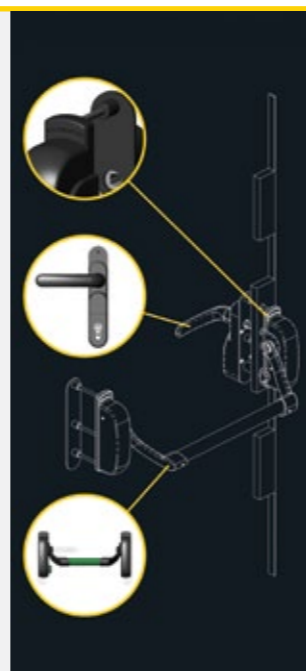
Yale has launched an innovative panic door system to compliment its range of multi-point door locks that offers the ultimate in security and compression as well as emergency egress capability.

Designed specifically to work with Lockmaster multi-point door locks, the Lockmaster Panic Door System is an internally concealed and fully accredited system offering emergency egress for a wide range of applications. It has been tested to 200,000 cycles, so is suitable for use even in high frequency applications. The panic door hardware also uniquely offers an external access system and a 'push bar' type A panic device.

Says Paul Atkinson, Sales Director: "We believe this is one of the highest performing, and best looking systems on the market enabling easy egress, easy fabrication and an excellent finished door product without compromising security and weather-sealing properties."

The panic door system is fully compliant with EN1125:2008, classification 37601421AB. It is also proven to resist high corrosion levels to 240hrs BSS and has achieved grade security level 1000N.

For more information, or to download latest technical or sales literature, please visit: [www.yale.co.uk/doorandwindowsolutions](http://www.yale.co.uk/doorandwindowsolutions)



Issue 01/September 2011

## In This Issue:

New products from yale	1
Meet the team	2-3
YS170 Multi-point locks	4
Sun Trade Windows	4
Panic door system	4

## Welcome

by Paul Atkinson, Yale Sales Director

Welcome to this new edition of Yale Mail, a dedicated news channel from Yale Door and Window Solutions. We aim to keep you informed of all the new products and innovations from your favourite lock company.

Here you'll find an update of our latest products and services, including our new range of window locks and panic door systems.

We'll also show how our innovative YS170 multipoint locking solution is

helping our customers reap the benefits of being associated with such a well known consumer brand as Yale.

Last but by no means least, I'm sure you've noticed there's been quite a lot going on since ASSA ABLOY's acquisition of Paddock, and here we introduce you to the new look team with a map demonstrating new regional responsibilities.

We hope you find the newsletter and its content useful. But remember, we want



it to be based around you, the reader, so please keep letting us know your views, we value, encourage and enjoy your input.

Finally, may I take this opportunity to wish you continued success and prosperity.

## In the frame - New products from Yale

Yale has launched a new range of window locks to deliver optimal security performance and unparalleled weatherproofing, without compromising on aesthetics.

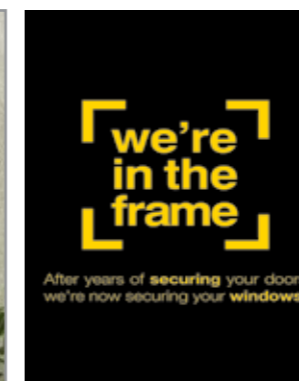
Two interchangeable high security shoot-bolt window locking systems combine chamfered shoot-bolts and compression adjustable 'mushroom' cams. The first system is 'crop to fit sash' while the second system is 'non crop to fit sash.'

The new 'Encloser' lock is quicker to fit with no shootbolts to connect, instead employing bi-directional cam technology to achieve a performance specification of BS7950.

Says Paul Atkinson, Sales Director: "We have used the same expert knowledge, product manufacture and applied the Yale brand name to window security, to deliver the highest levels of performance for security, ease of use, service life and attractively marketed package for end user appeal".

The new window locks comply with the most stringent industry standards, including BS7950, Secured by Design and are British Security Standard approved.

For more information, or to download latest technical or sales literature, please visit <http://goo.gl/tjl1V>.



The Yale sales team has recently been restructured, so alongside our new map, here's a quick overview of Yale contacts in each region (you may recognise some familiar faces from Paddock who are now part of the Yale sales force.)

**Yale Customer Services:** 0845 223 2128



**John Kubinski**  
07880 783664

Northern England, Scotland and North Wales  
John will be covering Northumberland, Cumbria, Durham, Lancashire, Merseyside, Greater Manchester, Cheshire, Yorkshire, Teeside and Humberside. John will also be looking after Yale customers in Scotland and North Wales.




**John Fletcher**  
07817 635415

Central England and Ireland  
John will be covering much of the Midlands and East Anglia, including Shropshire, Staffordshire, the West Midlands, Derbyshire, Nottinghamshire, Leicestershire, Northamptonshire, Rutland, Lincolnshire, Cambridgeshire, Norfolk and Suffolk. John will also be looking after Yale customers in Ireland.



**Mike Reed**  
07917 469381

Southern England  
Mike will be covering Devon, Cornwall, Somerset, Wiltshire, Dorset, Berkshire, Hampshire, Surrey, London, Sussex and Kent.



**Paul Gravell**  
07890 569389  
Yale Specification South

Paul will be looking after Yale specification customers in the south of the UK.



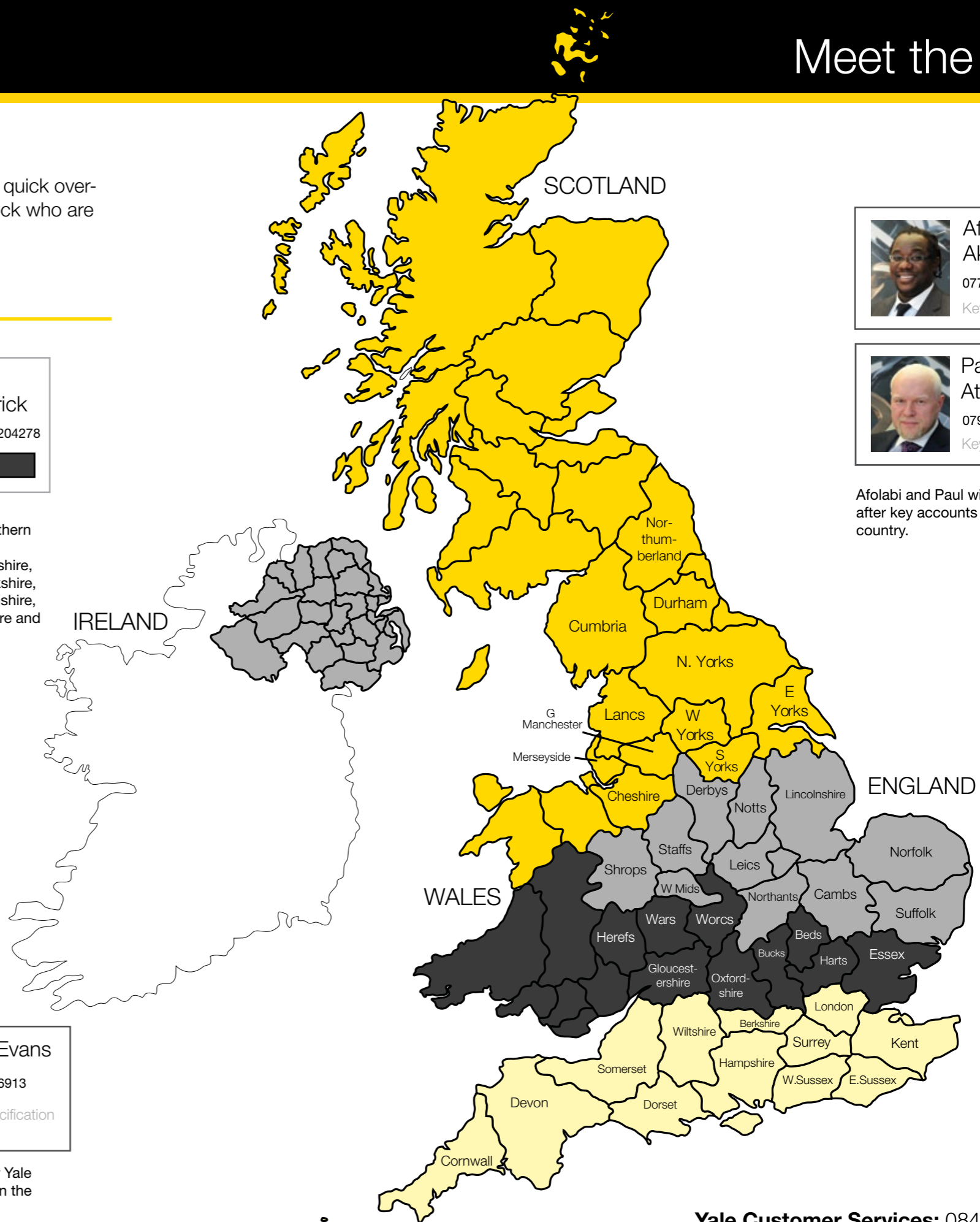
**Paul Hattrick**  
07825 204278

Central England  
Paul will be covering southern central England including Herefordshire, Worcestershire, Gloucestershire, Warwickshire, Oxfordshire, Buckinghamshire, Bedfordshire, Hertfordshire and Essex.



**Andy Evans**  
07768 746913  
Yale Specification North

Andy will be looking after Yale specification customers in the north of the UK.




**Afolabi Akinsanya**  
07796 337541  
Key UK Accounts



**Paul Atkinson**  
07917 123134  
Key UK Accounts

Afolabi and Paul will be looking after key accounts across the country.

**Yale Customer Services:** 0845 223 2128